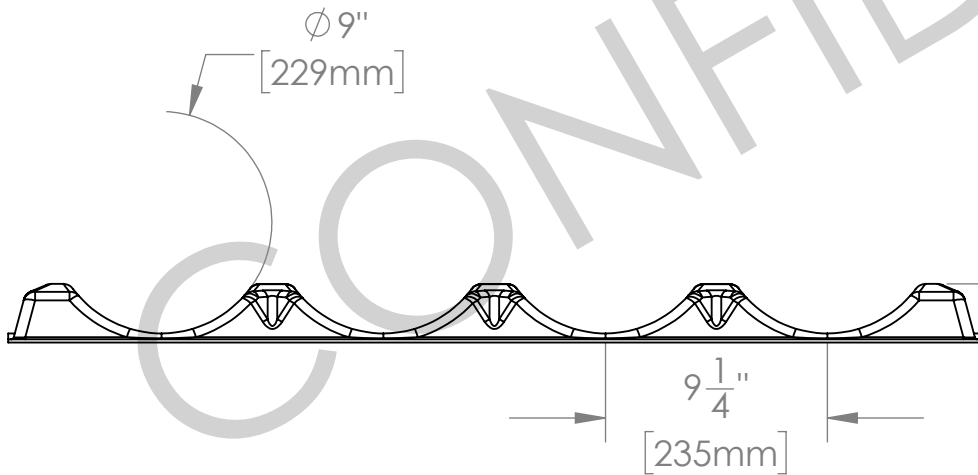
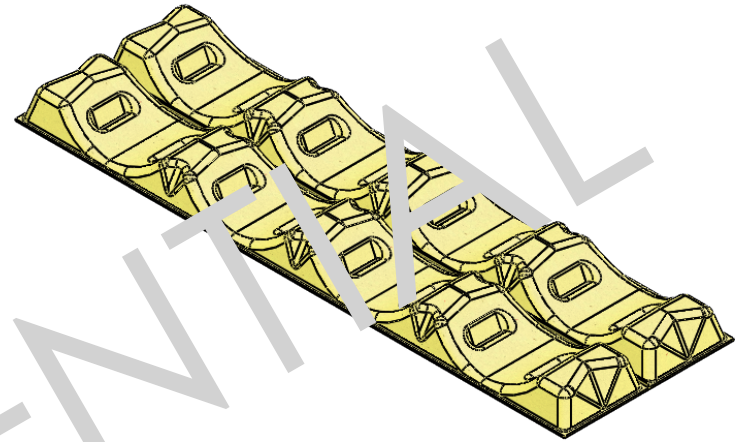


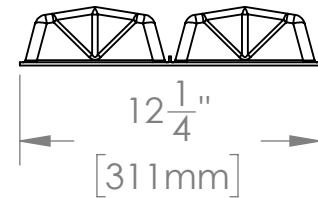
40 1/2"
[1029mm]



Ø 9"
[229mm]

9 1/4"
[235mm]

2 1/2"
[62mm]



12 1/4"
[311mm]

PROPRIETARY AND CONFIDENTIAL

THE INFORMATION CONTAINED IN THIS DRAWING IS THE SOLE PROPERTY OF Henry Molded Products, Inc. ANY REPRODUCTION IN PART OR AS A WHOLE WITHOUT THE WRITTEN PERMISSION OF Henry Molded Products, Inc. IS PROHIBITED.



DESCRIPTION:

9" Stakker

MODEL:

6009